



ADS-B sector antenna 6dBi, 90°

OVERVIEW

Sector antenna is dedicated for receiving signals in ADS-B/MLAT systems. The antenna is rugged and durable to withstand the harshest of environment. With 90° horizontal pattern is designed to reduce gar-bling of ADS-B messages out of the main beam.



ANTENNA PARAMETERS

Electrical:

Operating Frequency	1030 and 1090 MHz
Impedance	50 Ohm
Polarization	Vertical
Return Loss	>=10dB
Gain Sum	6 dBi
Azimuth	3dB B.W. 90°

Input:

RF Input	Type N Female 50 Ohm
----------	----------------------

Environmental:

Temperature Low/Hi	-57 to +85 °C
Relative Humidity	5% to 100%
Altitude	-300 to 15000 Feet
Wind Speed (max)	180 km per hour
Ice Load (max)	15 mm

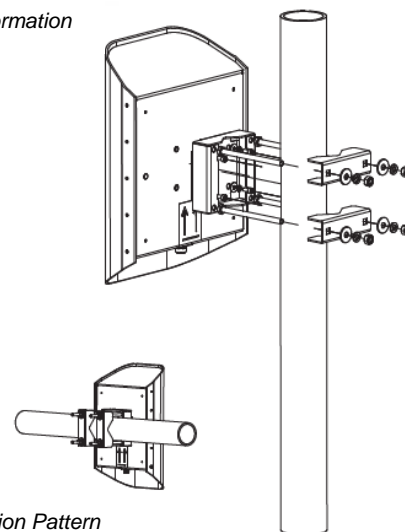
Mechanical:

Weight	3 kg
Size	380x260x110 mm

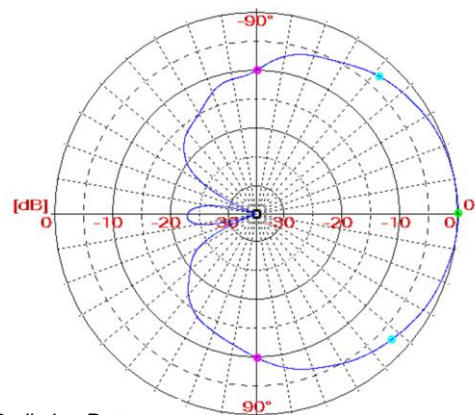
MAIN FEATURES

- 90° sector azimuth pattern
- Rugged and durable design
- DC grounded design for protection against lightning induced transients

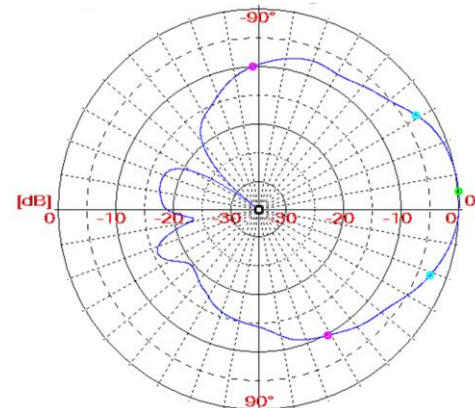
Mounting information



Horizontal Radiation Pattern



Vertical Radiation Pattern



T-CZ order code

7QN62207